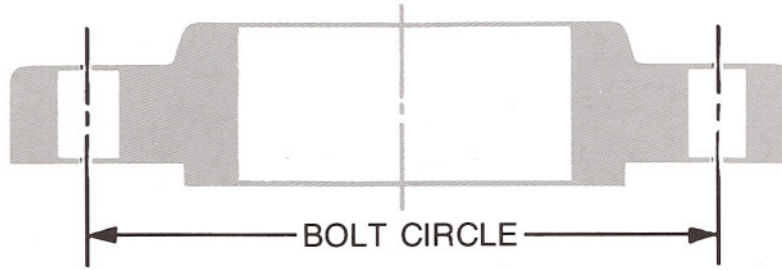
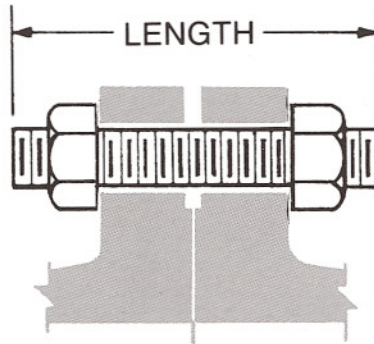


CLASS 600 STEEL PIPE FLANGES



FLANGE



STUD BOLT WITH NUTS

Pipe Size	BOLTING PATTERN AND BOLT LENGTHS					Pipe Size
	Diameter of Bolt Circle	Diameter of Bolt Holes	Number of Bolts	Diameter of Bolts	Stud Bolts	
					0.25 in. Raised Face	
1/2	2.62	0.62	4	1/2	3.25	1/2
3/4	3.25	0.75	4	5/8	3.50	3/4
1	3.50	0.75	4	5/8	3.75	1
1 1/4	3.88	0.75	4	5/8	4.00	1 1/4
1 1/2	4.50	0.88	4	3/4	4.25	1 1/2
2	5.00	0.75	8	5/8	4.25	2
2 1/2	5.88	0.88	8	3/4	4.75	2 1/2
3	6.62	0.88	8	3/4	5.00	3
3 1/2	7.25	1.00	8	7/8	5.50	3 1/2
4	8.50	1.00	8	7/8	5.75	4
5	10.50	1.12	8	1	6.50	5
6	11.50	1.12	12	1	6.75	6
8	13.75	1.25	12	1 1/8	7.75	8
10	17.00	1.38	16	1 1/4	8.50	10
12	19.25	1.38	20	1 1/4	8.75	12
14	20.75	1.50	20	1 3/8	9.25	14
16	23.75	1.62	20	1 1/2	10.00	16
18	25.75	1.75	20	1 5/8	10.75	18
20	28.50	1.75	24	1 5/8	11.50	20
24	33.00	2.00	24	1 7/8	13.00	24

CONFORMS TO ASTM A105; ANSI B16.5